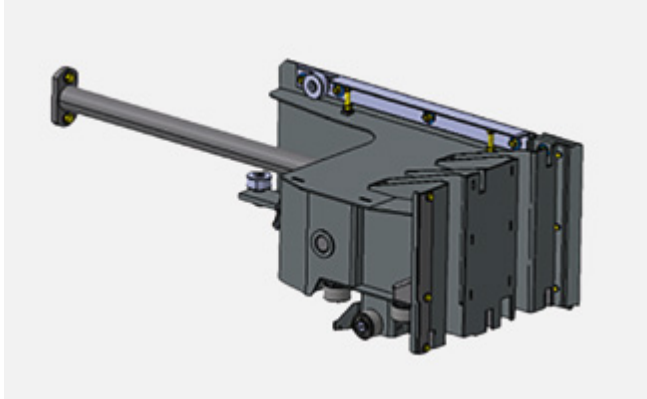


Improved bale shape.



- New ram shape for firmer bales
- New linkage geometry for better bale appearance

High compaction.



- The new bale chamber shape enables the MARKANT to produce heavier bales
- More kilos per bale mean more tonnes per truck, for lower transport costs

MARKANT		650
Pick-up width	m	1.85
DIN width	m	1.75
Crop feed		Crank feeder conveyor
Ram strokes	rpm	93w
Bale chamber dimensions Length x width x height	m	1.10 x 0.46 x 0.36
Bale length	m	0.40–1.10
Recommended power requirement	kW (hp)	44 (60)
Number of knotters		2
Number of twine reels in the twine box		10
Tyres		
Left		11.5/80-15.3 6 PR
Right		10.0/80-12 4 PR
Dimensions		
Length	mm	5490
Width	mm	2735
Height	mm	1880
Track width	mm	2440
PU options		
Hydraulic / hydraulic		o
Drawbar / guidewheel		o
Weight		
Tare weight	kg	1600

CLAAS continually develops its products to meet customer requirements. This means that all products are subject to change without notice. All descriptions and specifications in this brochure should be considered approximate and may include optional equipment that is not part of the standard specifications. This brochure is designed for worldwide use. Please refer to your nearest CLAAS dealer and their price list for local specification details. Some protective panels may have been removed for photographic purposes in order to present the function clearly. To avoid any risk of danger, never remove these protective panels yourself. In this respect, please refer to the relevant instructions in the operator's manual.

All technical specifications relating to engines are based on the European emission regulation standards: Stage. Any reference to the Tier standards in this document is intended solely for information purposes and ease of understanding. It does not imply approval for regions in which emissions are regulated by Tier.